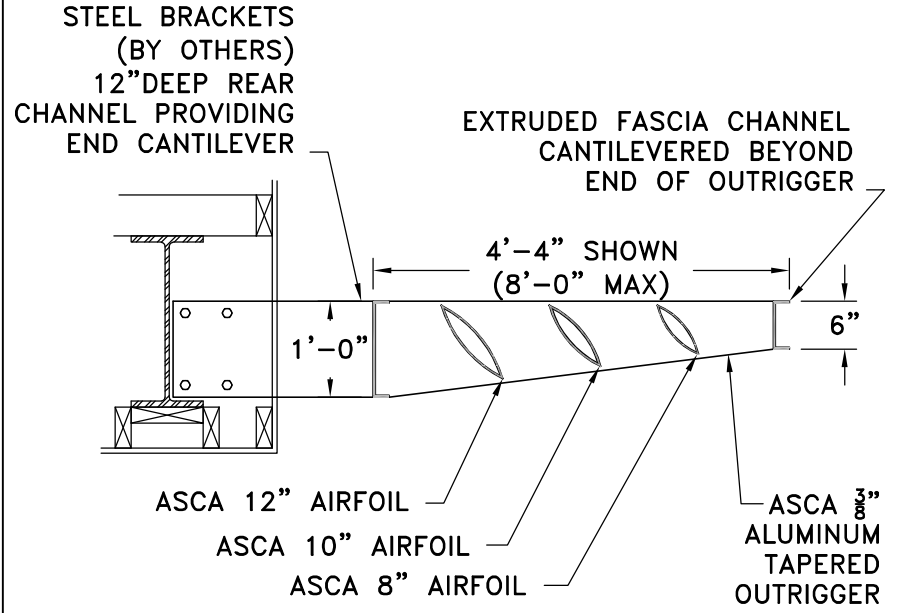
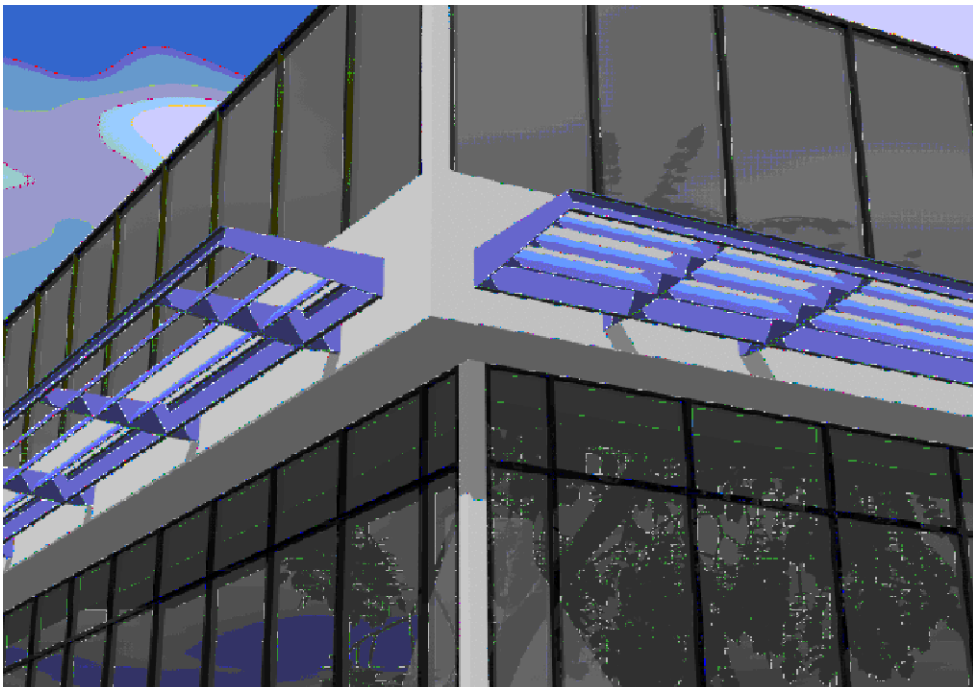


1 PLAN VIEW
 $\frac{3}{16}'' = 1'-0''$



A SECTION VIEW
 $\frac{3}{4}'' = 1'-0''$



ASCA INC.

3 MARKET SQUARE
 PORTSMOUTH, NH 03801 USA
 TEL: (603) 433-6700
 FAX: (603) 433-3349
 INFO@ASCA-DESIGN.COM

WWW.ASCA-DESIGN.COM

MODEL NO:	PROJECT / CLIENT:	
CH2732	DATE:	PM: