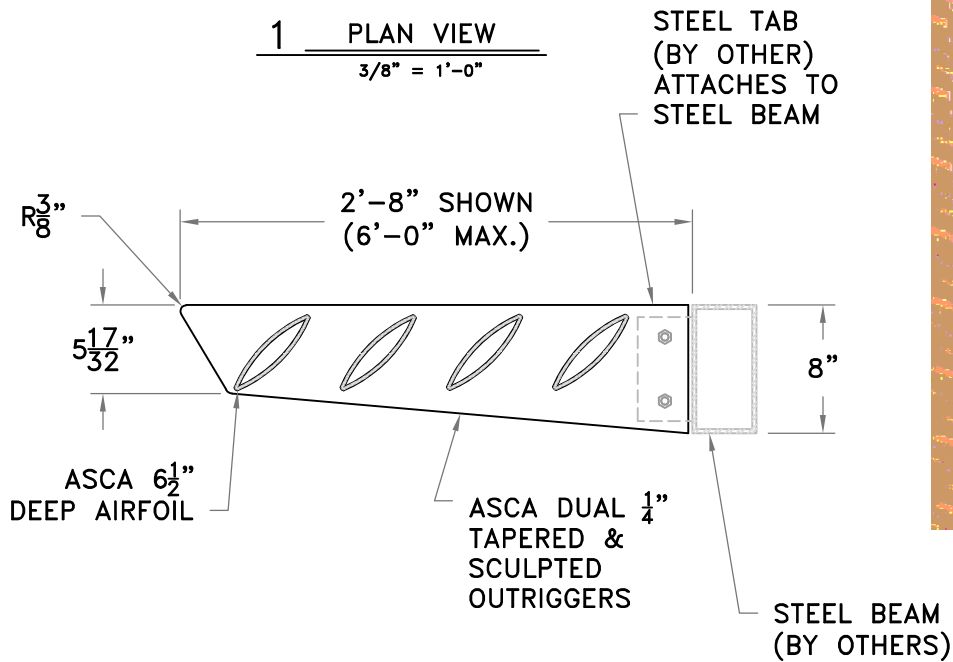
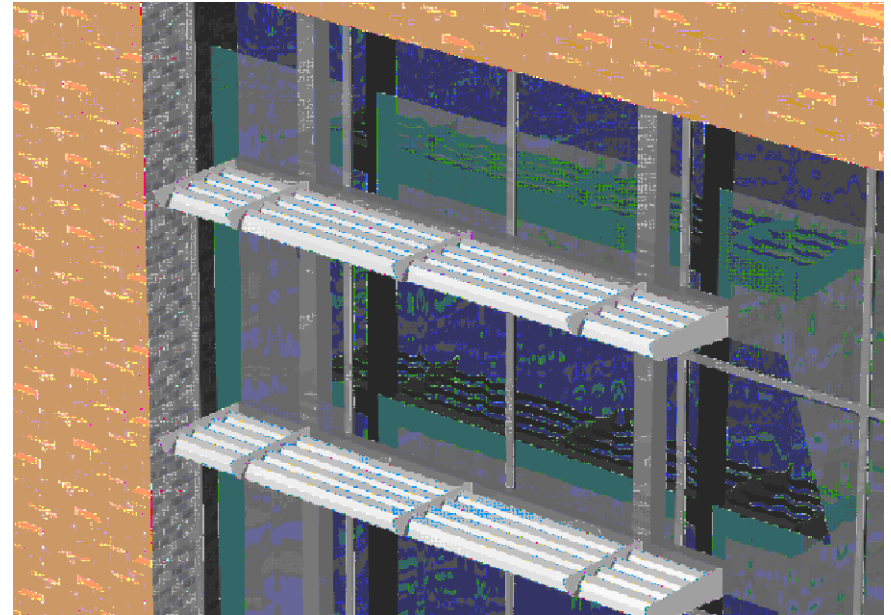


1 PLAN VIEW
3/8" = 1'-0"



A SECTION VIEW
1" = 1'-0"



ASCA INC.
WWW.ASCA-DESIGN.COM

3 MARKET SQUARE
PORTSMOUTH, NH 03801 USA
TEL: (603) 433-6700
FAX: (603) 433-3349
INFO@ASCA-DESIGN.COM

MODEL NO:

CH-2877

PROJECT / CLIENT:

DATE:

PM: