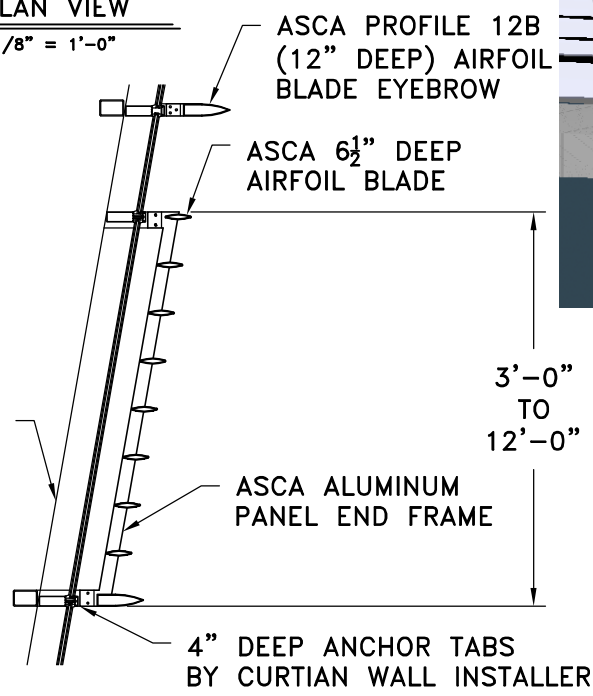
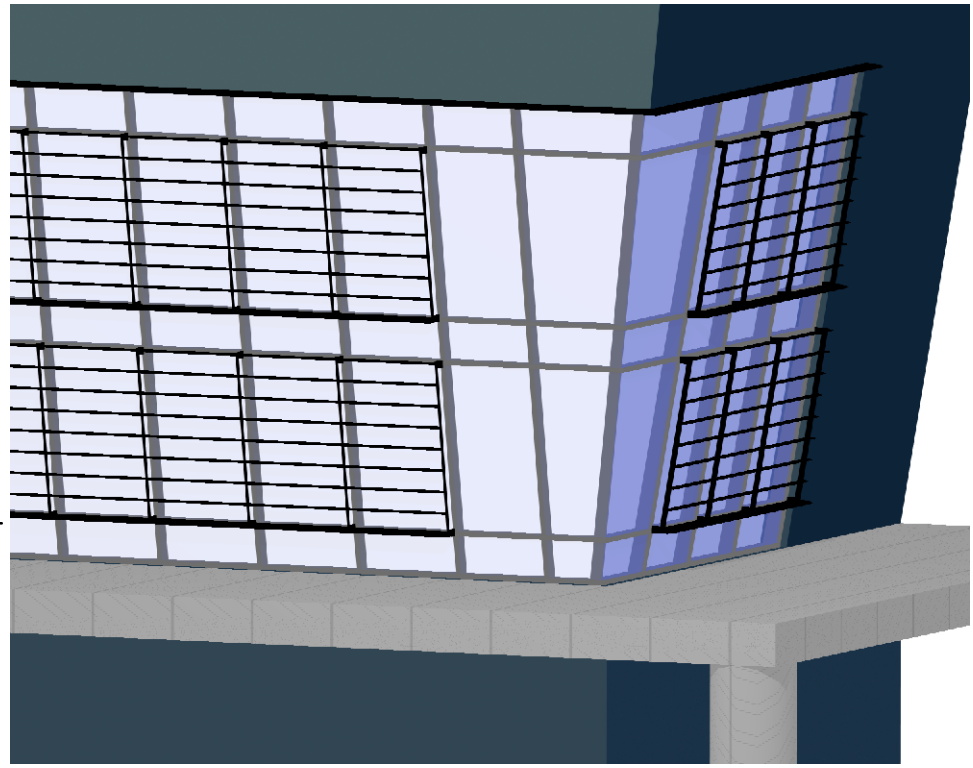


**1** PLAN VIEW  
1/8" = 1'-0"



**A** SECTION VIEW  
3/4" = 1'-0"



3 MARKET SQUARE  
PORTSMOUTH, NH 03801 USA  
TEL: (603) 433-6700  
FAX: (603) 433-3349  
INFO@ASCA-DESIGN.COM

MODEL NO: FV-2897	PROJECT / CLIENT:	DATE:	PM:
----------------------	-------------------	-------	-----