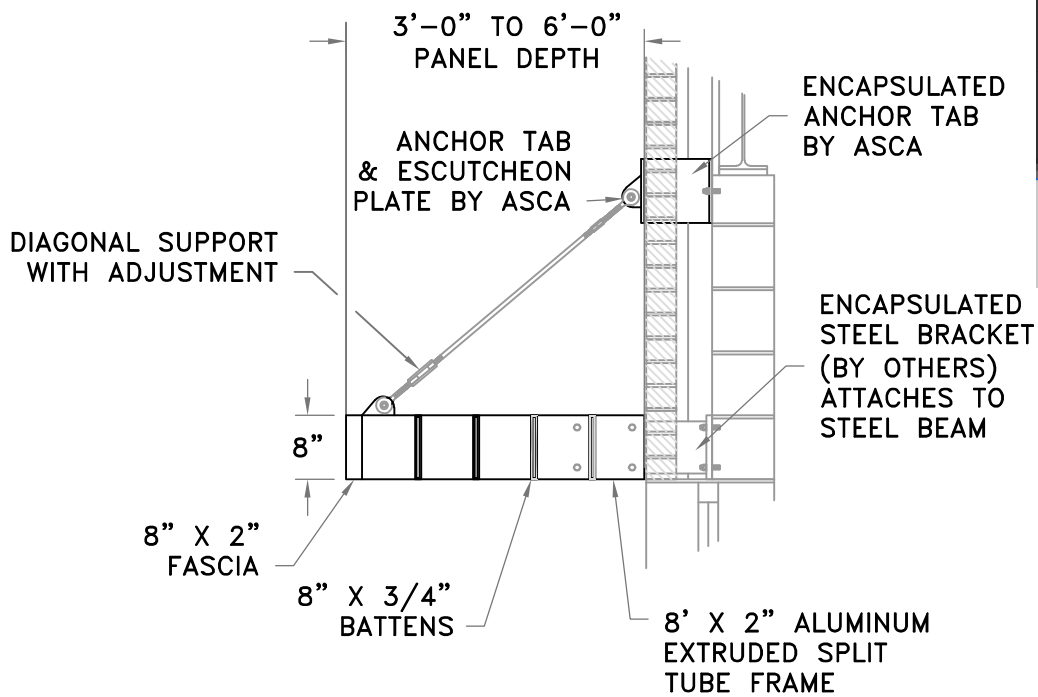
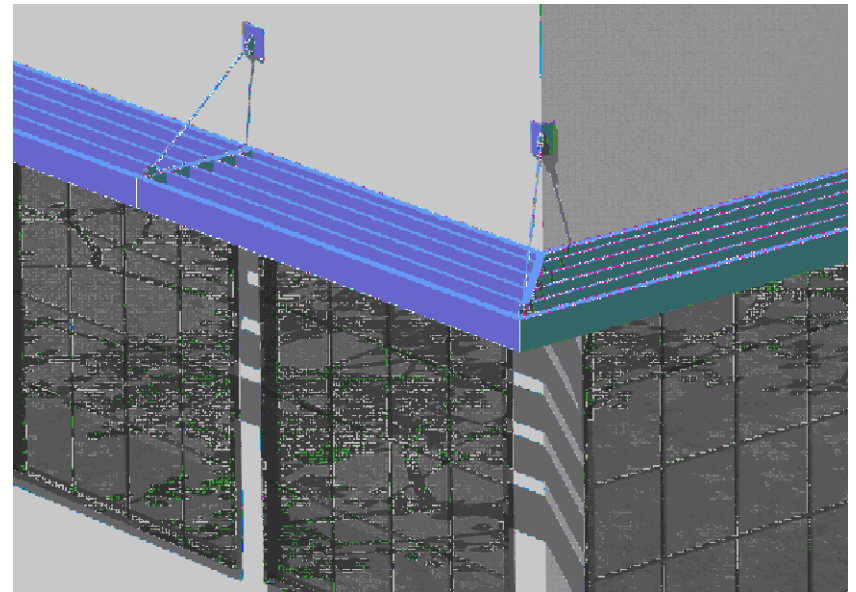



1 PLAN VIEW
1/4" = 1'-0"



A SECTION VIEW
1/2" = 1'-0"

		3 MARKET SQUARE PORTSMOUTH, NH 03801 USA TEL: (603) 433-6700 FAX: (603) 433-3349 INFO@ASCA-DESIGN.COM	
		WWW.ASCA-DESIGN.COM	
MODEL NO:	PROJECT / CLIENT:		
SH-3565	DATE:	PM:	